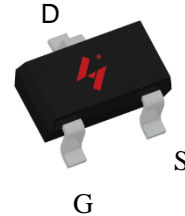


N-Channel Enhancement Mode MOSFET

Feature

- 20V/4.5A
 $R_{DS(ON)} = 24\text{ m}\Omega(\text{typ.}) @V_{GS} = 4.5\text{V}$
 $R_{DS(ON)} = 28\text{ m}\Omega(\text{typ.}) @V_{GS} = 2.5\text{V}$
 $R_{DS(ON)} = 39\text{ m}\Omega(\text{typ.}) @V_{GS} = 1.8\text{V}$
- Reliable and Rugged
- Halogen Free and Green Devices Available (RoHS Compliant)

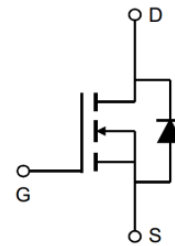
Pin Description



SOT-23-3L

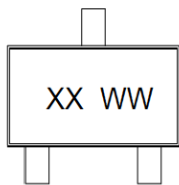
Applications

- Notebook
- Load Switch
- LED applications



N-Channel MOSFET

Ordering and Marking Information

	<p>Product type XX</p> <p>Date Code WW</p>
---	--

Note: HUAYI lead-free products contain molding compounds/die attach materials and 100% matte tin plate Termination finish; which are fully compliant with RoHS. HUAYI lead-free products meet or exceed the lead-Free requirements of IPC/JEDEC J-STD-020 for MSL classification at lead-free peak reflow temperature. HUAYI defines “Green” to mean lead-free (RoHS compliant) and halogen free (Br or Cl does not exceed 900ppm by weight in homogeneous material and total of Br and Cl does not exceed 1500ppm by weight).

HUAYI reserves the right to make changes, corrections, enhancements, modifications, and improvements to this product and/or to this document at any time without notice.

Absolute Maximum Ratings

Symbol	Parameter		Rating	Unit
Common Ratings (T _c =25°C Unless Otherwise Noted)				
V _{DSS}	Drain-Source Voltage		20	V
V _{GSS}	Gate-Source Voltage		±10	V
T _J	Junction Temperature Range		-55 to 175	°C
T _{STG}	Storage Temperature Range		-55 to 175	°C
I _S	Source Current-Continuous(Body Diode)	T _c =25°C	4.5	A
Mounted on Large Heat Sink				
I _{DM}	Pulsed Drain Current *	T _c =25°C	16	A
I _D	Continuous Drain Current	T _c =25°C	4.5	A
		T _c =100°C	3.2	A
P _D	Maximum Power Dissipation	T _c =25°C	1.25	W
		T _c =100°C	0.625	W
R _{θJA}	Thermal Resistance, Junction-to-Ambient **		120	°C/W

Note: * Repetitive rating; pulse width limited by max. junction temperature.

Electrical Characteristics(T_c =25°C Unless Otherwise Noted)

Symbol	Parameter	Test Conditions	HY0320			Unit
			Min	Typ.	Max	
Static Characteristics						
BV _{DSS}	Drain-Source Breakdown Voltage	V _{GS} =0V, I _{DS} =250μA	20	-	-	V
I _{DSS}	Drain-to-Source Leakage Current	V _{DS} =20V, V _{GS} =0V	-	-	1	μA
		T _J =125°C	-	-	50	μA
V _{GS(th)}	Gate Threshold Voltage	V _{DS} =V _{GS} , I _{DS} =250μA	0.4	0.7	1	V
I _{GSS}	Gate-Source Leakage Current	V _{GS} =±10V, V _{DS} =0V	-	-	±100	nA
R _{DS(ON)*}	Drain-Source On-state Resistance	V _{GS} =4.5V, I _{DS} =3A	-	24	32	mΩ
		V _{GS} =2.5V, I _{DS} =2A		28	40	
		V _{GS} =1.8V, I _{DS} =2A		39	60	
Diode Characteristics						
V _{SD*}	Diode Forward Voltage	I _{SD} =1A, V _{GS} =0V, T _J =25°C	-	0.78	1	V
t _{rr}	Reverse Recovery Time	I _{SD} =3A, dI _{SD} /dt=100A/μs	-	5.4	-	ns
Q _{rr}	Reverse Recovery Charge		-	1.4	-	nC

Electrical Characteristics (Cont.) (T_c =25°C Unless Otherwise Noted)

Symbol	Parameter	Test Conditions	HY0320			Unit
			Min	Typ.	Max	
Dynamic Characteristics						
R _G	Gate Resistance	V _{GS} =0V, V _{DS} =0V, Frequency=1.0MHz	-	2.7	-	Ω
C _{iss}	Input Capacitance**	V _{GS} =0V, V _{DS} =16V, Frequency=1.0MHz	-	328	-	pF
C _{oss}	Output Capacitance**		-	53	-	
C _{rss}	Reverse Transfer Capacitance**		-	30	-	
t _{d(ON)}	Turn-on Delay Time**	V _{DD} =10V, R _G =2.5Ω, I _{DS} =3A, V _{GS} =4.5V	-	4.5	-	ns
T _r	Turn-on Rise Time**		-	9	-	
t _{d(OFF)}	Turn-off Delay Time**		-	15.9	-	
T _f	Turn-off Fall Time**		-	1.5	-	
Gate Charge Characteristics						
Q _g	Total Gate Charge	V _{DS} = 16V, V _{GS} = 4.5V, I _D = 3A	-	5.3	-	nC
Q _{gs}	Gate-Source Charge		-	0.78	-	
Q _{gd}	Gate-Drain Charge		-	1.4	-	

Note: * Pulse test, pulse width ≤ 300us, duty cycle ≤ 2%.

** Essentially independent of operating temperature.

Typical Operating Characteristics

Figure 1: Power Dissipation

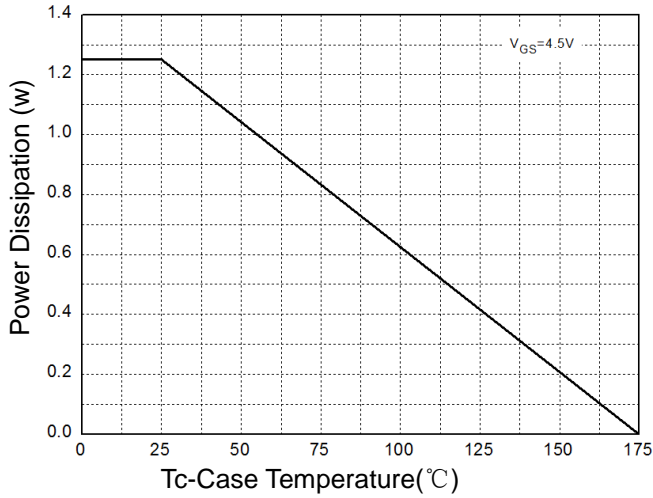


Figure 2: Drain Current

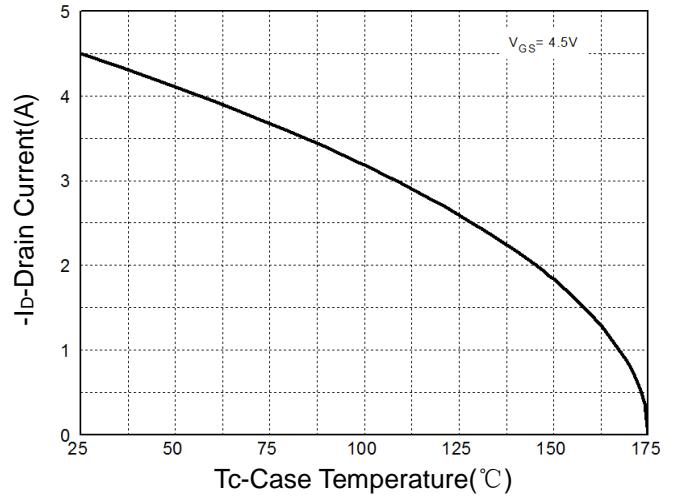


Figure 3: Safe Operation Area

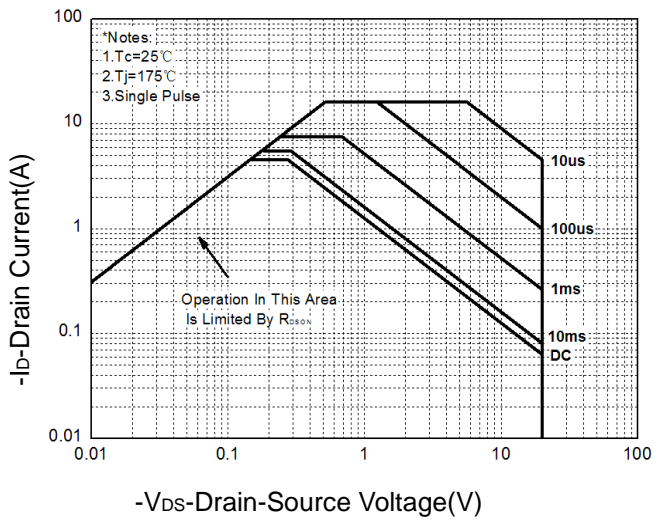


Figure 4: Thermal Transient Impedance

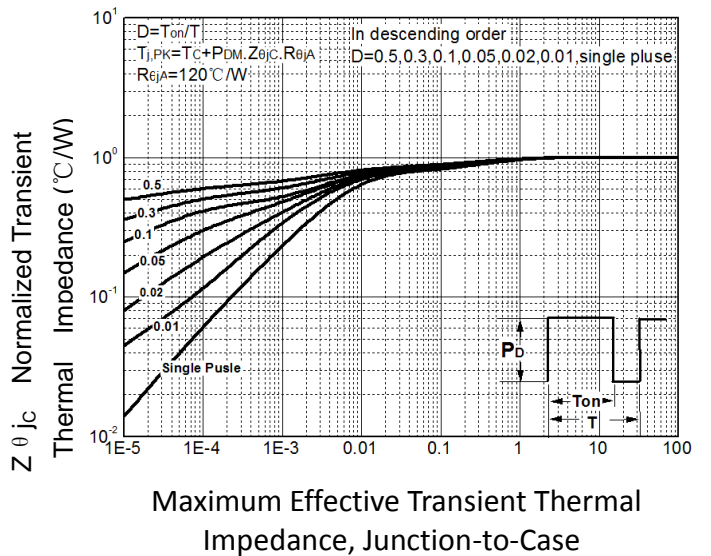


Figure 5: Output Characteristics

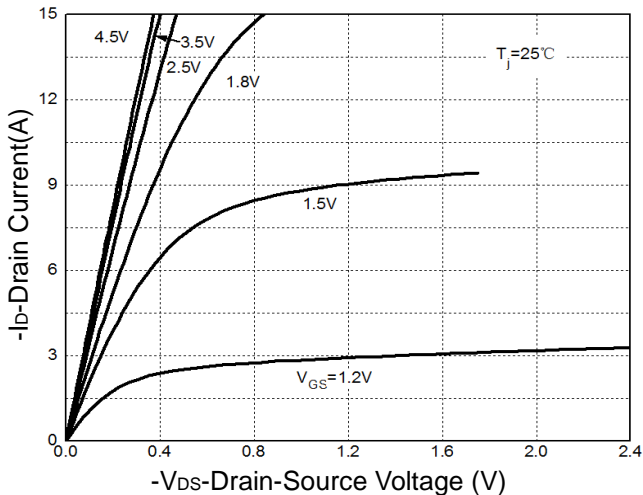
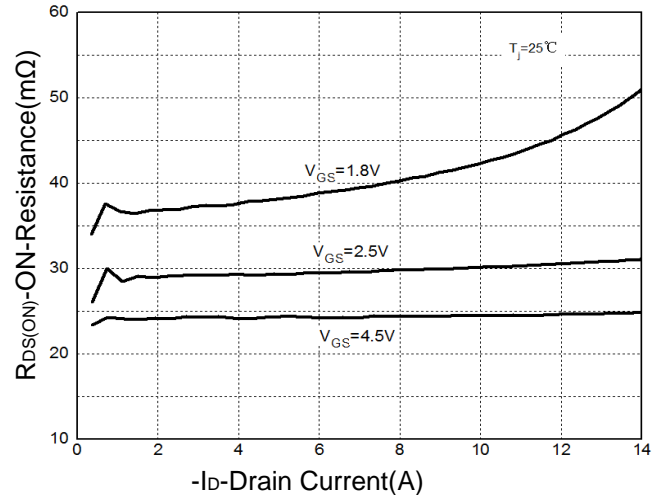


Figure 6: Drain-Source On Resistance



Typical Operating Characteristics(Cont.)

Figure 7: On-Resistance vs. Temperature

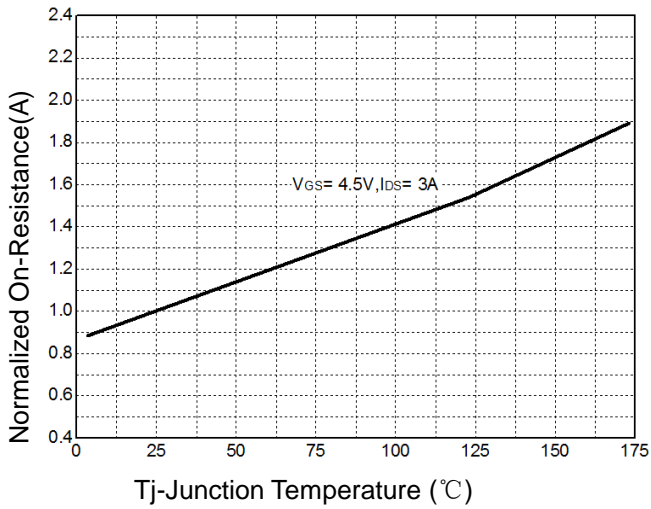


Figure 8: Source-Drain Diode Forward

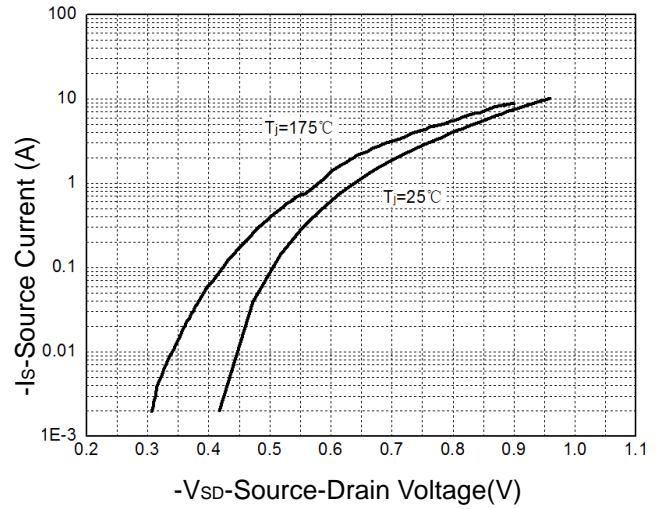


Figure 9: Capacitance Characteristics

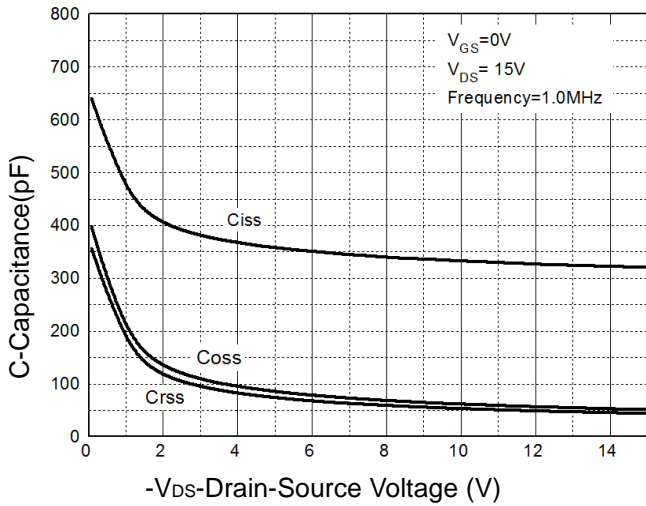
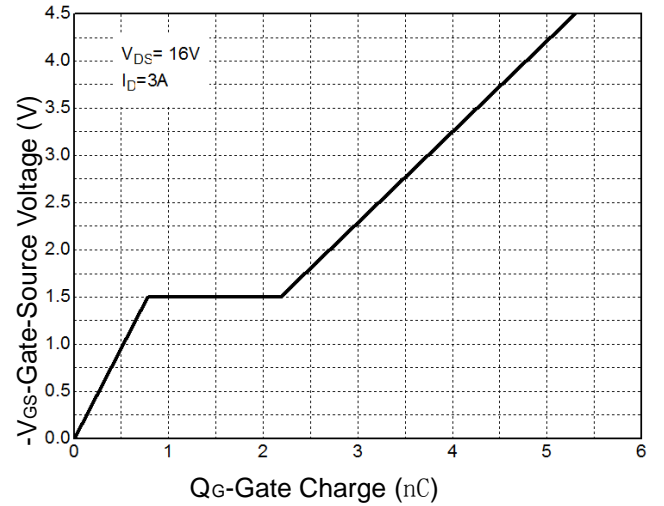
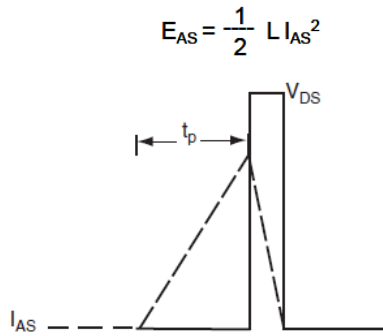
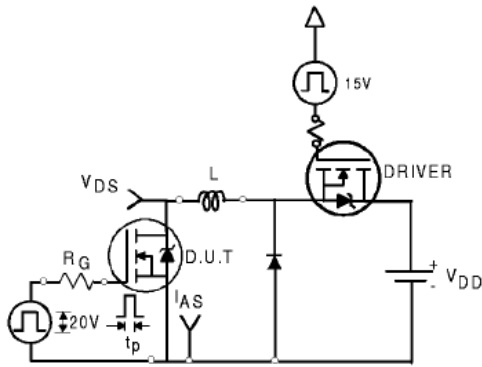


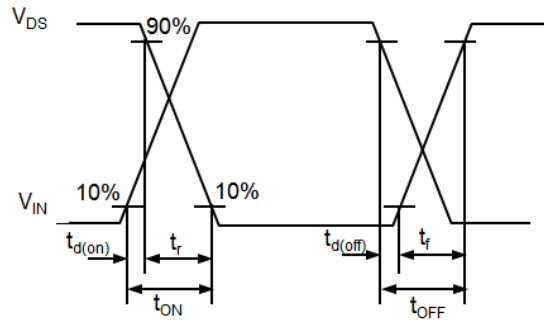
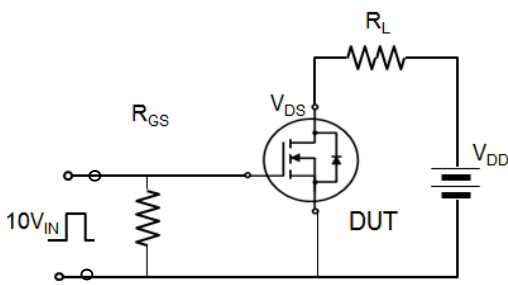
Figure 10: Gate Charge Characteristics



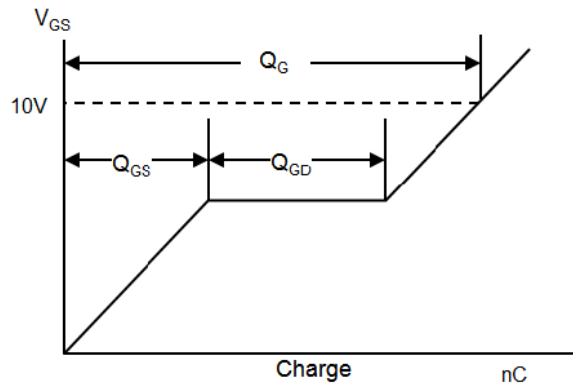
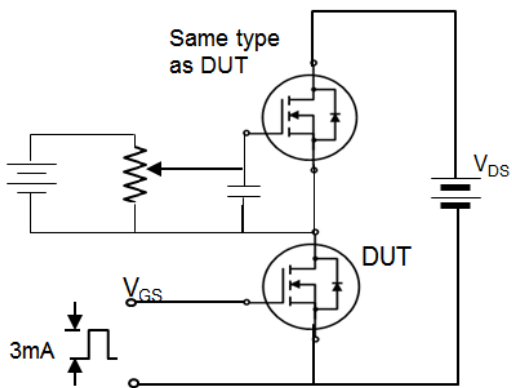
Avalanche Test Circuit



Switching Time Test Circuit



Gate Charge Test Circuit

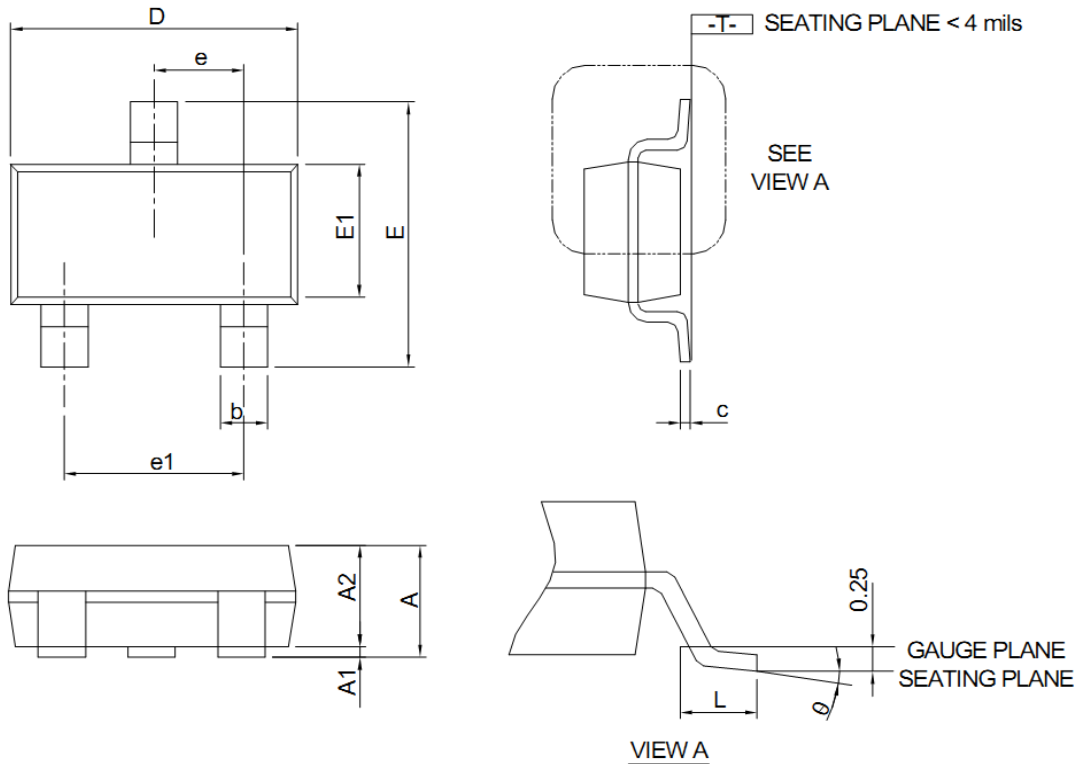


Device Per Unit

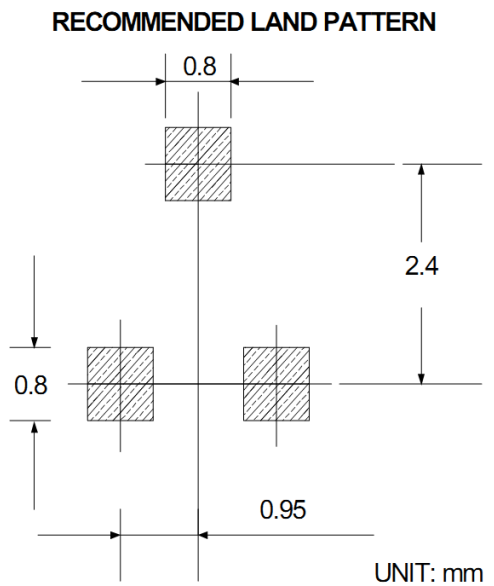
Package Type	Unit	Quantity
SOT-23-3L	Reel	3000

Package Information

SOT-23-3L

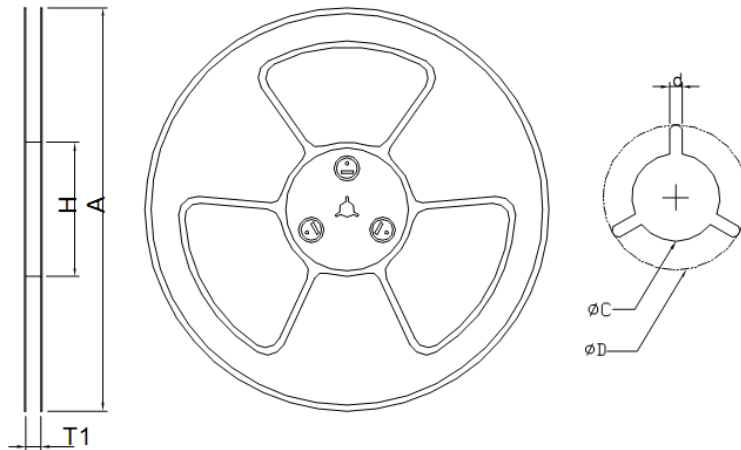
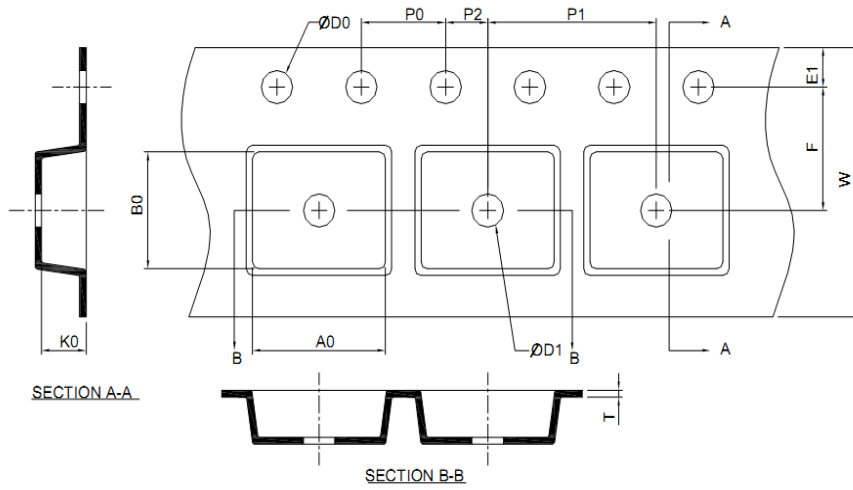


SYMBOL	SOT-23-3L			
	MILLIMETERS		INCHES	
	MIN.	MAX.	MIN.	MAX.
A	-	1.20	-	0.047
A1	0.00	0.08	0.000	0.003
A2	0.90	1.12	0.035	0.044
b	0.30	0.50	0.012	0.020
c	0.08	0.22	0.003	0.009
D	2.70	3.10	0.106	0.122
E	2.60	3.00	0.102	0.118
E1	1.40	1.80	0.055	0.071
e	0.95 BSC		0.037 BSC	
e1	1.90 BSC		0.075 BSC	
L	0.30	0.60	0.012	0.024
θ	0°	8°	0°	8°



Note : Dimension D and E1 do not include mold flash, protrusions or gate burrs. Mold flash, protrusion or gate burrs shall not exceed 10 mil per side.

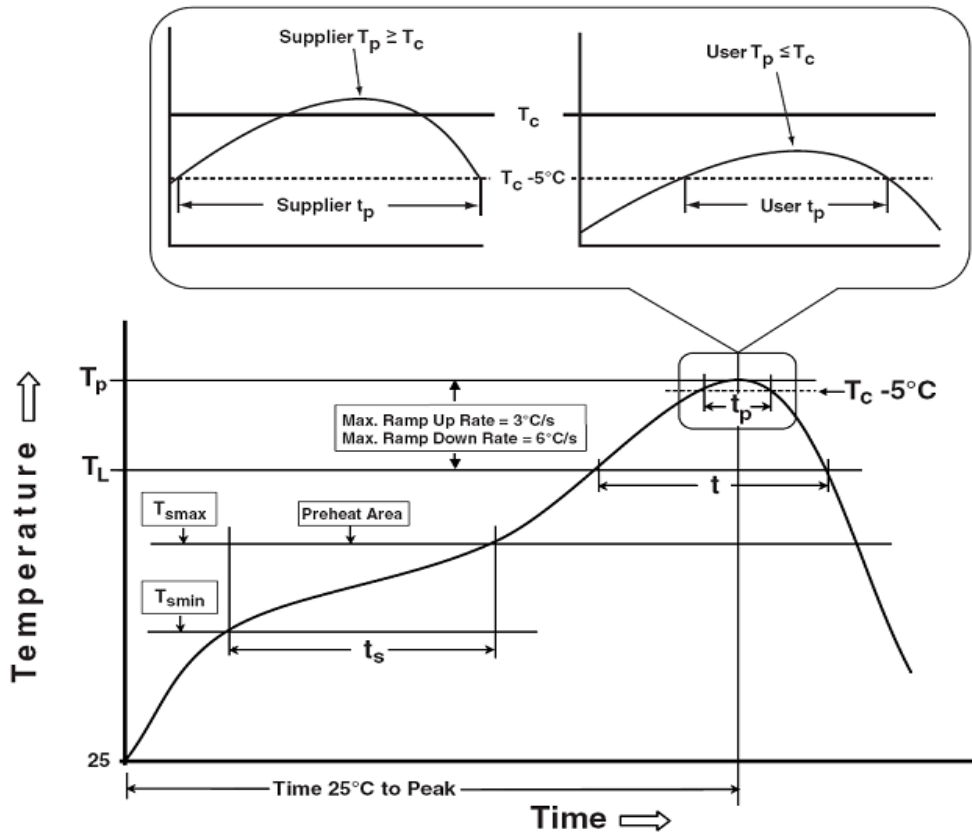
Carrier Tape & Reel Dimensions



Application	A	H	T1	C	d	D	W	E1	F
SOT-23-3L	178.0±2.00	50 MIN.	8.4+2.00 -0.00	13.0+0.50 -0.20	1.5 MIN.	20.2 MIN.	8.0±0.30	1.75±0.10	3.5±0.05
	P0	P1	P2	D0	D1	T	A0	B0	K0
	4.0±0.10	4.0±0.10	2.0±0.05	1.5+0.10 -0.00	1.0 MIN.	0.6+0.00 -0.40	3.20±0.20	3.10±0.20	1.50±0.20

(mm)

Classification Profile



Classification Reflow Profiles

Profile Feature	Sn-Pb Eutectic Assembly	Pb-Free Assembly
Preheat & Soak		
Temperature min (T_{smin})	100 °C	150 °C
Temperature max (T_{smax})	150 °C	200 °C
Time (T_{smin} to T_{smax}) (t_s)	60-120 seconds	60-120 seconds
Average ramp-up rate (T_{smax} to T_p)	3 °C/second max.	3°C/second max.
Liquidous temperature (T_L)	183 °C	217 °C
Time at liquidous (t_l)	60-150 seconds	60-150 seconds
Peak package body Temperature (T_p)*	See Classification Temp in table 1	See Classification Temp in table 2
Time (t_p)** within 5°C of the specified classification temperature (T_c)	20** seconds	30** seconds
Average ramp-down rate (T_p to T_{smax})	6 °C/second max.	6 °C/second max.
Time 25°C to peak temperature	6 minutes max.	8 minutes max.
*Tolerance for peak profile Temperature (T_p) is defined as a supplier minimum and a user maximum.		
** Tolerance for time at peak profile temperature (t_p) is defined as a supplier minimum and a user maximum.		

Table 1.SnPb Eutectic Process – Classification Temperatures (Tc)

Package Thickness	Volume mm ³ <350	Volume mm ³ ≥350
<2.5 mm	235 °C	220 °C
≥2.5 mm	220 °C	220 °C

Table 2.Pb-free Process – Classification Temperatures (Tc)

Package Thickness	Volume mm ³ <350	Volume mm ³ 350-2000	Volume mm ³ ≥2000
<1.6 mm	260 °C	260 °C	260 °C
1.6 mm – 2.5 mm	260 °C	250 °C	245 °C
≥2.5 mm	250 °C	245 °C	245 °C

Reliability Test Program

Test item	Method	Description
SOLDERABILITY	JESD-22, B102	5 Sec, 245°C
HTGB	JESD-22, A108	168 Hrs /500 Hrs, Bias @ 150°C
HTRB	JESD-22, A108	168 Hrs /500 Hrs, Bias @ 150°C
PCT	JESD-22, A102	96 Hrs, 100%RH, 2atm, 121°C
TCT	JESD-22, A104	500 Cycles, -55°C~150°C

Customer Service

Worldwide Sales and Service: sales@hymexa.com

Technical Support: Technology@hymexa.com

Huayi Microelectronics Co., Ltd.

No.8928,Shangji Road,Economic and Technological Development Zone,Xi'an,China

TEL: (86-029) 86685706

FAX: (86-029) 86685705

E-mail: sales@hymexa.com

Web net: www.hymexa.com